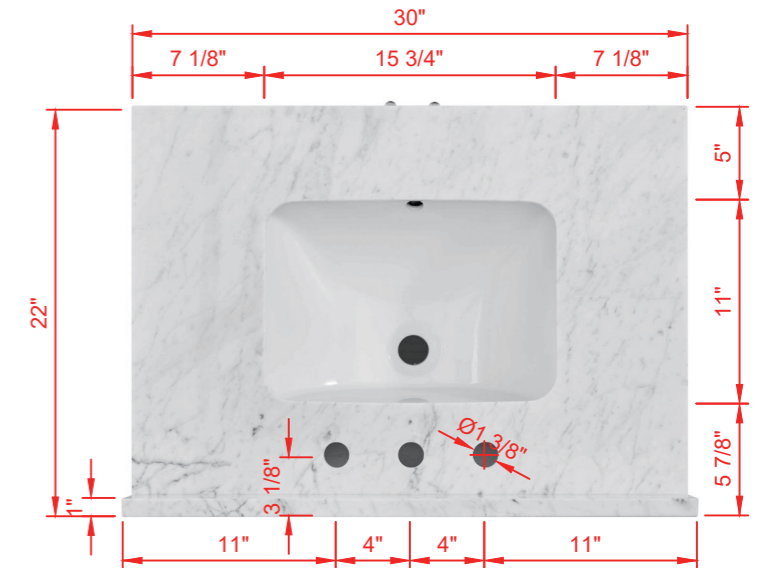
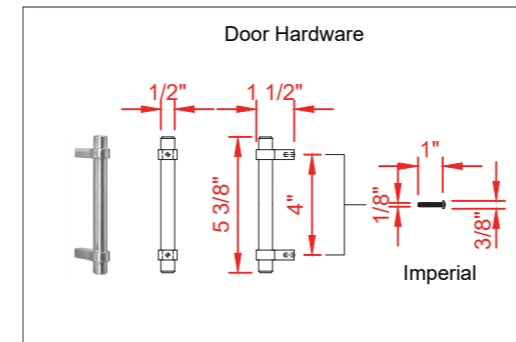
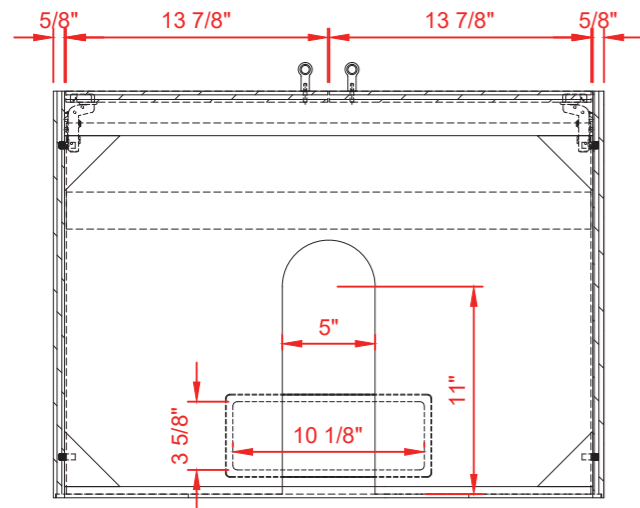


INSTALLERS DIAGRAM

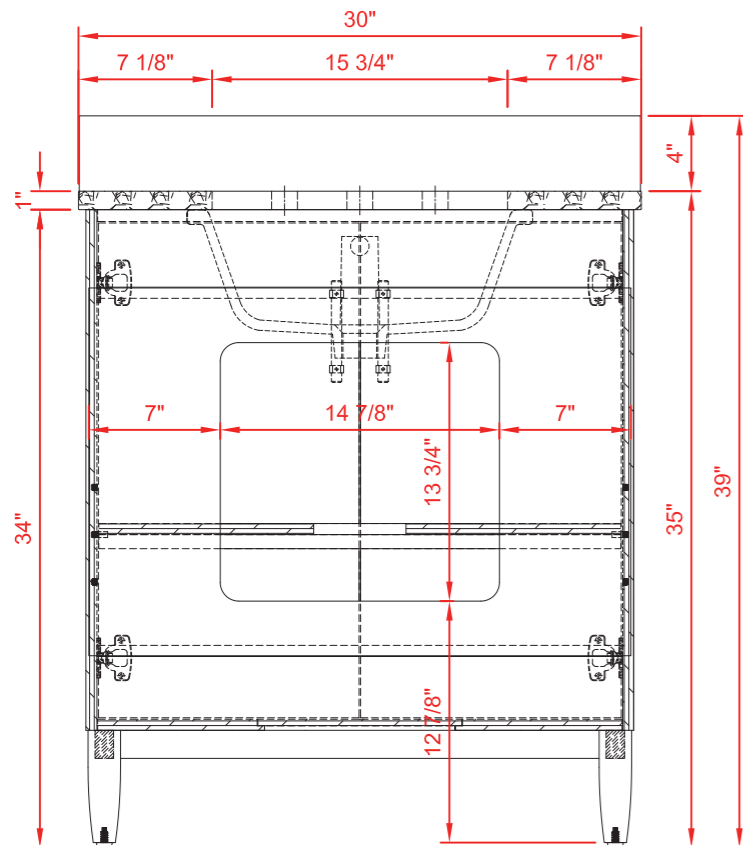
MODEL NUMBER:1656VB-30-241-247-UM

UNDERMOUNT SINK

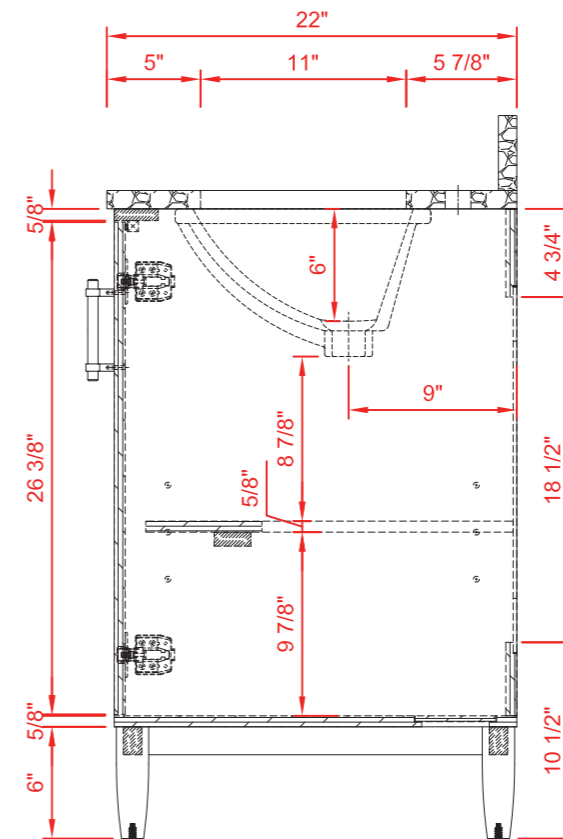


TOP VIEW

Product Net weight (W/O Top):56lbs.
 Product packed Gross weight (W/O Top):86lbs.
 Packed product Dimensions:
 32.5in. W x 24.5in. D x 38.75in. H



FRONT VIEW



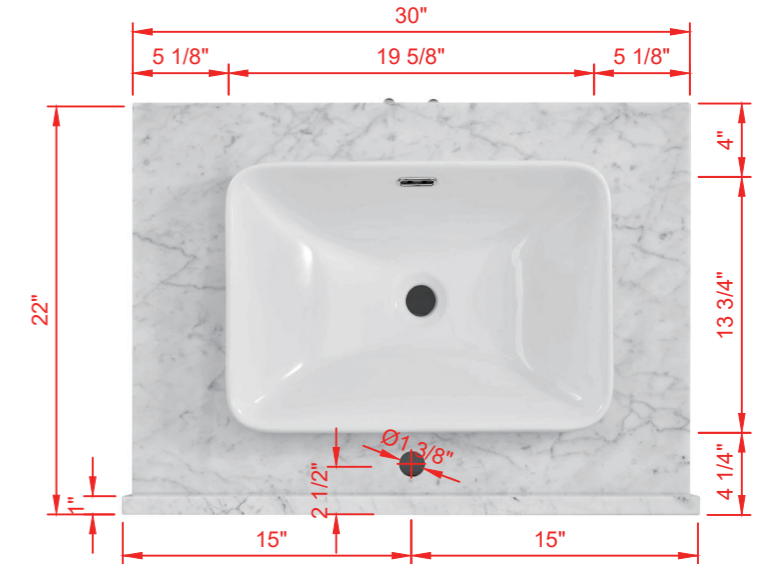
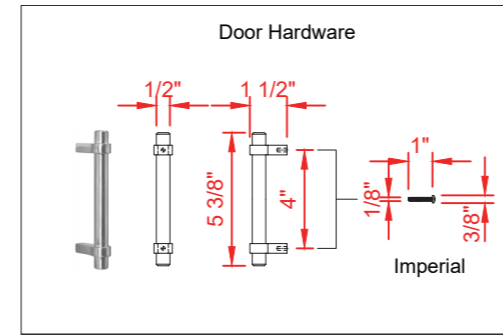
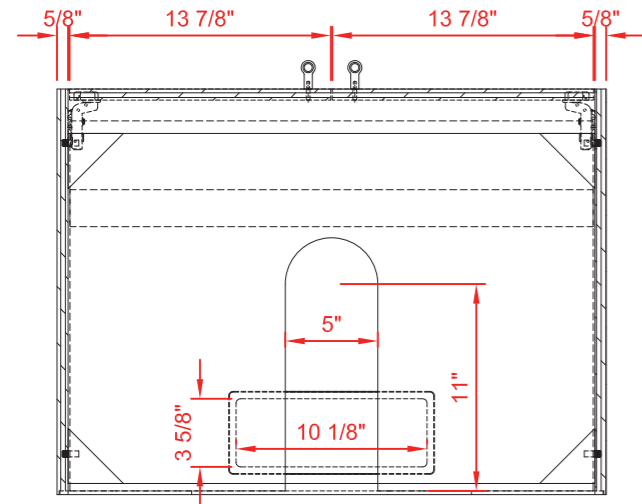
SIDE VIEW



INSTALLERS DIAGRAM

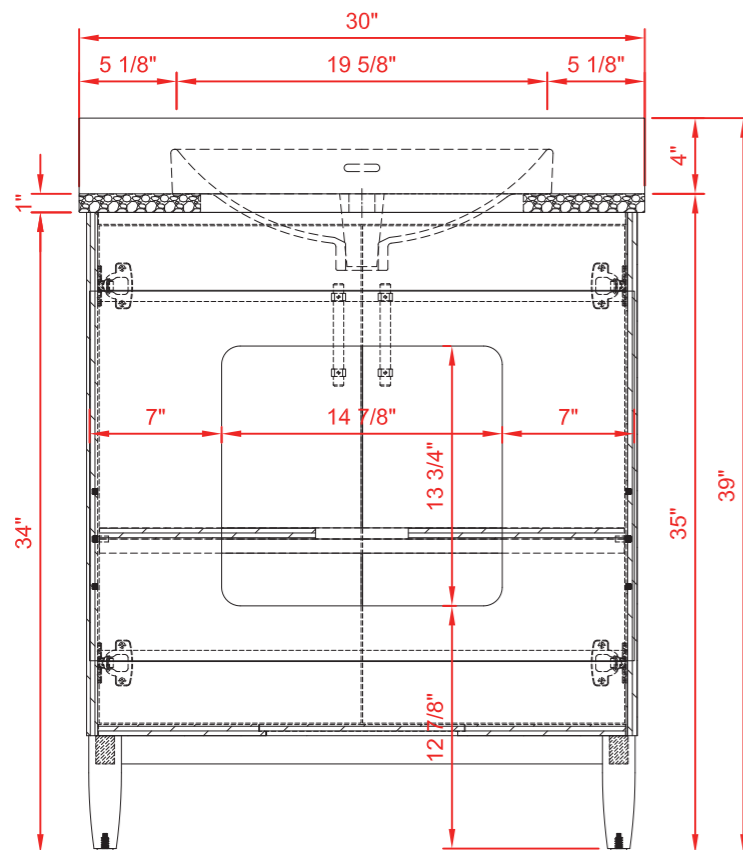
MODEL NUMBER:1656VB-30-241-247-SR

SEMI-RECESSED SINK

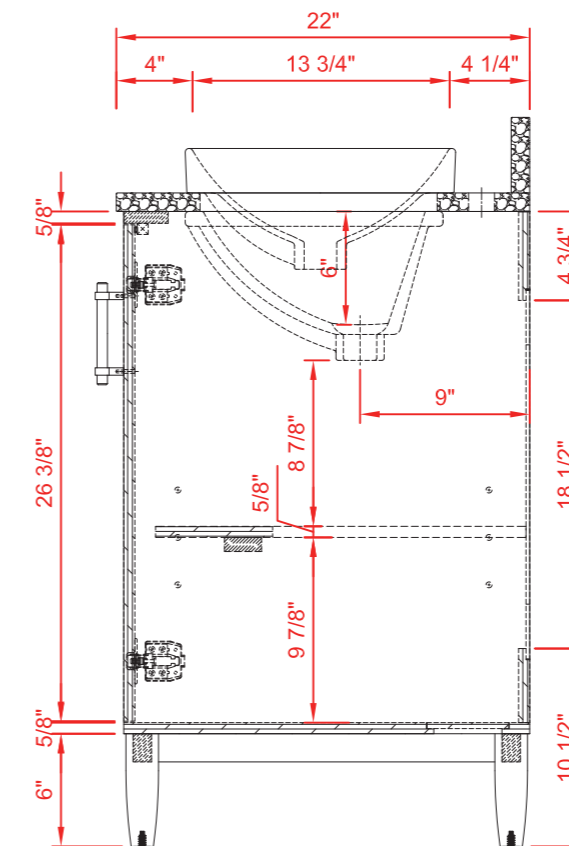


TOP VIEW

Product Net weight (W/O Top):56lbs.
 Product packed Gross weight (W/O Top):86lbs.
 Packed product Dimensions:
 32.5in. W x 24.5in. D x 38.75in. H



FRONT VIEW



SIDE VIEW

